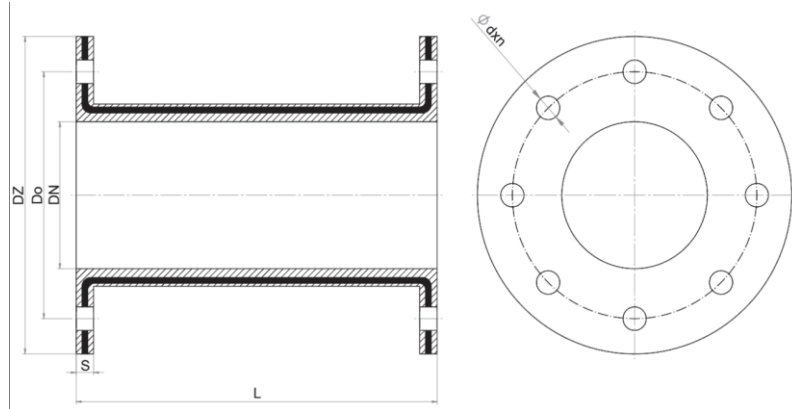


Rubber inserts of pinch valves – Drilled flanges DN32 – DN500

METAL-GUM Zielona Góra ul. Naftowa 2, tel. (68) 458-55-60, bok@metal-gum.com.pl



Technical datas:

- range diameters: DN32-DN500
- working pressure: 0,6/1,0/1,6 MPa
- working temperature: max. 100°C
- temperature depends on kind of rubber and working pressure
- Flange openings : PN06/PN10/PN16
- Construction:**
- Inner lining: NR, EPDM, EPDM-HT, SBR, NBR
- Reinforced with a syntetic cord

Advantages::

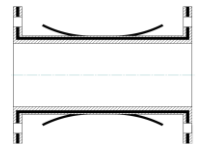
- durability and reliability of using
- certified rubber compounds
- Compliance with the pressure directive 2014/68 / EU makes that the fittings are safe in use.

Dimension Table

DN	L (mm)	Flange openings PN	Max Working pressure (MPa)	Dz	Do	s	d	n
32	165	10/16	1,6	140	100	10	20	4
40	165	10/16	1,6	150	110	10	18	4
50	165	10/16	1,6	165	125	12	18	4
65	165	10/16	1,6	185	145	11	20	8
80	200	10/16	1,6	200	160	12	18	8
80	200	10/16	1,6	200	160	12	20	8
100	250	10/16	1,6	220	180	13	18	8
100	255	10/16	1,6	235	180	15	18	8
125	310	10/16	1,6	250	210	15	18	8
125	310	10/16	1,6	250	210	12,5	18	8
125	310	10/16	1,6	270	210	15	20	8
150	375	10/16	1,6	286	240	15	23	8
200	500	10	1,0	340	295	16	22	8
200	500	16	1,6	340	295	16	22	12
250	625	10	1,0	400	350	17	22	12
250	680	10	1,0	400	350	17	22	12
250	700	10	1,0	400	350	17	23	12
250	625	16	1,6	405	355	18	26	12
250	700	16	1,6	405	355	18	26	12
300	750	06	0,6	470	395	15	23	12
300	850	06	0,6	470	395	15	23	12
350	875	10	1,0	500	460	18	23	16
350	950	10	1,0	500	460	18	23	16
400	1000	10	1,0	590	515	15	26	16
500	1250	10	1,0	720	620	18	26	20

Parameters beyond those indicated above e.g. increased range of working pressure or other diameters - on individual customer's request

Every rubber insert can have opening tags



We also produce :